

WE PROUDLY MANUFACTURE IN THE USA

CALL US 1-800-223-1316



Security Fastener Division



Over Half a Century & 2 Generations of Service to our Customers



Screw & Supply, Inc. was started in April of 1960 on Lafayette Street in lower Manhattan by Harry Thaw. Not too long after that Harry moved to their long term home off the Bowery on Bond Street.

Peggy Thaw first started working there as a bookkeeper in 1974. In 1978, when Harry was ready to retire to sunny Florida, Peggy purchased the business from him.

Screw & Supply was always a general full line fastener distributorship. Some changes were instituted and the company began specializing in security screws selling primarily to other distributors.

Several years later Screw & Supply began importing bits, keys, sockets, and drivers for the installation and removal of these security products.

In 1984, after outgrowing our Manhattan location, Screw & Supply moved to Box Street in Brooklyn, NY. Then in June of 1989 we moved to our present, permanent facility in Holbrook, NY.



In 1999 Peggy went into business with two very knowledgeable and talented cold headers and the manufacturing component was added.

Screw & Supply, Inc. Security Team.



The boys, Boo Boo & Yogi.



The girls, Chole & Lilly



Hayven Rose, the future President & CEO of Screw & Supply, Inc.

Table of Contents

Bits, Sockets, Keys, Drivers, & Kits

Bits & Sockets

1/4" Hex Spanner Bit	3
5/16" Hex Spanner Bit	3
1/4" Security Hex Socket Bit	3
1/4" Security 6 Lobe Bit	3
5/16" Security 6 Lobe Bit	4
1/4" Hex Tri-Wing Bit	4
1/4" Hex Security Phillips Bit	4
Trigroove Sockets	4

Keys

Hex Socket Security Short Arm "L" Key . . .	5
6 Lobe Security Short Arm "L" Key	5

Drivers

1/4" Magnetic Hand Driver for all 1/4" Drive Bits	6
Spanner Hand Driver Complete	6
Trigroove Handles	6
Security 6 Lobe Hand Driver Complete . . .	6
One Way Screw Removal Tool	6

Kits

1/4" Magnetic Spanner Kit with 6 Bits	7
6 Lobe Security Bit Set	7
6 Lobe Security Key Kit	7
28 Piece Security Bit Set	8
Hex Socket Security Kit	8
Trigroove Tool Kit	8

6 Lobe Security

Button 6 Lobe Cap Screws

18/8 Stainless Steel	9
Alloy Zinc Plated	10

Flat 6 Lobe Cap Screws

18/8 Stainless Steel	11
Alloy Zinc Plated	12

Button 6 Lobe Sheet Metal Screws

18/8 Stainless Steel	13
Steel Zinc Plated	13

Flat 6 Lobe Sheet Metal Screws

18/8 Stainless Steel	14
Steel Zinc Plated	14

Pan Head 6 Lobe Self Drill

Button Head 6 Lobe Self Drill

Flat Head 6 Lobe Self Drill

410 Stainless Steel	16
Steel Zinc Plated	16

Oval Head 6 Lobe Self Drill

Technical Data

Button Head	17
Flat Head	17

(continued on next page) →

We Stock It So You Can Lock It!

We manufacture and distribute security fasteners proudly made in the USA!

We are also proud to make this catalog available to you. It was developed with you in mind and should provide you with the information you need about our products. **While the pages that follow contain an extensive list of our products, we are always adding new ones.** So if you are looking for something and do not see it, do not think that we don't have it, or cannot get it for you.

For more than 50 years, it has been our honor to provide our customers with quality products and customer service. **We frequently go the extra mile to find exactly what our customers need.**

We want to do the same for you!



Table of Contents (continued)

Torx® Security

<u>Button Head Torx® Masonry Screw</u>	18
<u>Flat Head Torx® Masonry Screw</u>	18

Hex Socket Security

Button Hex Socket Cap Screws

18/8 Stainless Steel	19
Alloy Black Oxide	20

Flat Hex Socket Cap Screws

18/8 Stainless Steel	21
Alloy Black Oxide	21

Button Hex Socket Sheet Metal Screw

18/8 Stainless Steel	22
Steel Black Oxide	22

Flat Hex Socket Sheet Metal Screw

18/8 Stainless Steel	23
Steel Black Oxide	23

Technical Data

Button Head	24
Flat Head	24

Spanner Screws

Pan Spanner

Machine Screw	25
Sheet Metal Screw	25

Flat Spanner Machine Screw 26 |

Flat Undercut Spanner Machine Screws 26 |

Flat Spanner Sheet Metal Screws 27 |

Oval Spanner Machine Screw 27 |

Trigroove Screws

<u>Machine Screw</u>	28
<u>Sheet Metal Screw</u>	28

Round One Way Screws

<u>Machine Screw</u>	29
<u>Sheet Metal Screw</u>	29

Security Nuts

Trigroove Nut

Zamak 5 Zinc Alloy	30
316 Stainless Steel	30

Break-Away Nut

Zamak 5 Zinc Alloy	30
304 Stainless Steel	30

Technical Data

Trigroove Nuts	31
Break-Away Nuts	31
Zamak 5 (AC41A)	32
304 Stainless Steel	32

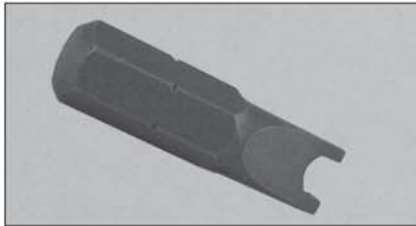
Torx® is a Registered Trademark of Acument Global Technologies.



Bits, Sockets, Keys, Drivers, & Kits

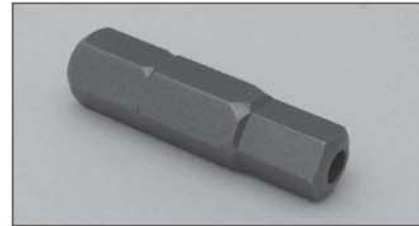
Bits

1/4" Hex Spanner Bit



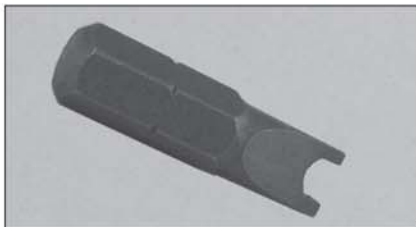
PART NO.	SIZE
1/4SP04	#4
1/4SP06	#6
1/4SP08	#8
1/4SP10	#10
1/4SP12	#12
1/4SP14	#14

1/4" Security Hex Socket Bit



PART NO.	SIZE
THB3/32	3/32
THB1/8	1/8
THB9/64	9/64
THB5/32	5/32
THB3/16	3/16
THB7/32	7/32
THB1/4	1/4
THB5/16	5/16

5/16" Hex Spanner Bit



PART NO.	SIZE
5/16SP04	#4
5/16SP06	#6
5/16SP08	#8
5/16SP10	#10
5/16SP12	#12
5/16SP14	#14

1/4" Security 6 Lobe Bit



PART NO.	SIZE
TT07	T7
TT08	T8
TT09	T9
TT10	T10
TT15	T15
TT20	T20
TT25	T25
TT27	T27
TT30	T30
TT40	T40



Bits, Sockets, Keys, Drivers, & Kits

Bits & Sockets

5/16" Security 6 Lobe Bit



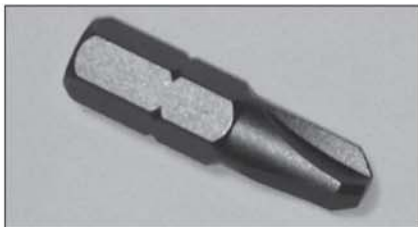
PART NO.	SIZE
TTL45	TT45
TTL50	TT50
TTL55	TT55

1/4" Hex Security Phillips Bit



PART NO.	SIZE
TRP2	#2
TRP3	#3

1/4" Hex Tri-Wing Bit



PART NO.	SIZE
TWD0	#0 for #1 Screws
TWD1	#1 for #2 Screws
TWD2	#2 for #4 Screws
TWD3	#3 for #6 Screws
TWD4	#4 for #8 Screws
TWD5	#5 for #10 Screws
TWD6	#6 for #12 & 14 Screws

Trigroove Sockets



PART NO.	FOR SCREW SIZE	FOR NUT SIZE
TRS04	4	
TRS06	6, 8	
TRS10	10, 12, 14(1/4)	
TRS20		10, 1/4, 6MM
TRS30		5/16, 3/8, 8MM
TRS40		1/2, 10MM

Bits, Sockets, Keys, Drivers, & Kits

Keys

Hex Socket Security Short Arm "L" Key (Drilled Both Ends)



PART NO.	SIZE
THK3/32	3/32
THK7/64	7/64
THK1/8	1/8
THK9/64	9/64
THK5/32	5/32
THK3/16	3/16
THK7/32	7/32
THK1/4	1/4
THK5/16	5/16

6 Lobe Security Short Arm "L" Key (Drilled Both Ends)



PART NO.	SIZE
KTT07	T7
KTT08	T8
KTT09	T9
KTT10	T10
KTT15	T15
KTT20	T20
KTT25	T25
KTT27	T27
KTT30	T30
KTT40	T40
KTT45	T45
KTT50	T50
KTT55	T55



Bits, Sockets, Keys, Drivers, & Kits

Drivers

1/4" Magnetic Hand Driver for all 1/4" Drive Bits



PART NO.	SIZE	WITH FLIP CAP STORAGE
MHD1/4	1/4 Drive	No
MSD1/4	1/4 Drive	Yes

Security 6 Lobe Hand Driver Complete



PART NO.	SIZE
HDTT07	T7
HDTT08	T8
HDTT09	T9
HDTT10	T10
HDTT15	T15
HDTT20	T20
HDTT25	T25
HDTT27	T27
HDTT30	T30
HDTT40	T40

Spanner Hand Driver Complete



PART NO.	SIZE
SPD04	#4
SPD06	#6
SPD08	#8
SPD10	#10
SPD12	#12
SPD14	#14

One Way Screw Removal Tool*



PART NO.	SIZE
SSTM06-8	For #4, 6, 8 Screws
SSTM10-12	For #10, 12 Screws
SSTM14	For #14, 5/16, 3/8 Screws

Trigroove Handles



PART NO.	FOR SOCKET SIZE
TRIH-1	4, 6, 10
TRIH-2	20, 30, 40

* This tool has special grade carbide pins. These pins have a very sharp edge. In order for this tool to work properly, you must use considerable downward pressure as you are turning so that the pins literally bite into the slope in the head of the screw.

Bits, Sockets, Keys, Drivers, & Kits

Kits

1/4" Magnetic Spanner Kit with 6 Bits (#4 thru #14)



PART NO.	CONTAINS
MSPK1/4-F	MHD1/4 Hand Driver & 6 Bits (#4 thru #14) <i>Packed in a Heavy Vinyl Zip-Loc Pouch</i>

6 Lobe Security Bit Set



PART NO.	CONTAINS
T6TK	MHD1/4 Hand Driver & 12 Bits (TT8, 9, 10, 15, 20, 25, 27, 30, 40, & TTL45, 50, 55) <i>Packed in a Heavy Vinyl Zip-Loc Pouch</i>

6 Lobe Security Key Kit



PART NO.	CONTAINS
TTKK	Containing 1 Each: KTT8, 10, 15, 20, 25, 27, 30, 40 <i>Packed in a Heavy Vinyl Zip-Loc Pouch</i>



Bits, Sockets, Keys, Drivers, & Kits

Kits

28 Piece Security Bit Set



PART NO.	CONTAINS
TRBAK	Containing 1 Each: THB3/32, 1/8, 9/64, 5/32, 3/16, 7/32 TT08, 09, 10, 15, 20, 25, 27, 30, 40 TRP2, 3 SP04, 06, 08, 10, 12, 14 TWD3, 4, 5 MHD1/4 Magnetic Hand Driver <i>Packed in a Plastic Carrying Case</i>

Security Hex Socket Kit



PART NO.	CONTAINS
THBK	Containing 1 Each: THB3/32, 1/8, 9/64, 5/32, 3/16, 7/32, 1/4, 5/16 MHD1/4 Magnetic Hand Driver <i>Packed in a Heavy Vinyl Zip-Loc Pouch</i>

Trigroove Tool Kit



PART NO.	CONTAINS
TRBH20	Containing 1 Each: TRIH-1 Handle TRS04, TRS06 & TRS10 Sockets <i>Packed in a Heavy Vinyl Zip-Loc Pouch</i>

6 Lobe Security

Button 6 Lobe Cap Screws

MADE IN THE
USA

18/8 Stainless Steel



PART NO.	SIZE	DRIVE SIZE
T6B4C025SS	4-40 X 1/4	T-8
T6B4C037SS	4-40 X 3/8	T-8
T6B4C050SS	4-40 X 1/2	T-8
T6B4C075SS	4-40 X 3/4	T-8
T6B6C025SS	6-32 X 1/4	T-10
T6B6C037SS	6-32 X 3/8	T-10
T6B6C050SS	6-32 X 1/2	T-10
T6B6C062SS	6-32 X 5/8	T-10
T6B6C075SS	6-32 X 3/4	T-10
T6B6C100SS	6-32 X 1	T-10
T6B6C150SS	6-32 X 1-1/2	T-10
T6B6C200SS	6-32 X 2	T-10
T6B8C025SS	8-32 X 1/4	T-15
T6B8C037SS	8-32 X 3/8	T-15
T6B8C050SS	8-32 X 1/2	T-15
T6B8C062SS	8-32 X 5/8	T-15
T6B8C075SS	8-32 X 3/4	T-15
T6B8C100SS	8-32 X 1	T-15
T6B8C125SS	8-32 X 1-1/4	T-15
T6B8C150SS	8-32 X 1-1/2	T-15
T6B8C200SS	8-32 X 2	T-15
T6B10C025SS	10-24 X 1/4	T-25
T6B10C037SS	10-24 X 3/8	T-25
T6B10C050SS	10-24 X 1/2	T-25
T6B10C075SS	10-24 X 3/4	T-25
T6B10C100SS	10-24 X 1	T-25
T6B10C125SS	10-24 X 1-1/4	T-25
T6B10C150SS	10-24 X 1-1/2	T-25
T6B10C200SS	10-24 X 2	T-25
T6B10F025SS	10-32 X 1/4	T-25
T6B10F037SS	10-32 X 3/8	T-25
T6B10F050SS	10-32 X 1/2	T-25
T6B10F075SS	10-32 X 3/4	T-25
T6B10F100SS	10-32 X 1	T-25

PART NO.	SIZE	DRIVE SIZE
T6B10F125SS	10-32 X 1-1/4	T-25
T6B10F150SS	10-32 X 1-1/2	T-25
T6B10F200SS	10-32 X 2	T-25
T6B12C050SS	12-24 X 1/2	T-25
T6B12C075SS	12-24 X 3/4	T-25
T6B25C037SS	1/4-20 X 3/8	T-27
T6B25C050SS	1/4-20 X 1/2	T-27
T6B25C062SS	1/4-20 X 5/8	T-27
T6B25C075SS	1/4-20 X 3/4	T-27
T6B25C100SS	1/4-20 X 1	T-27
T6B25C125SS	1/4-20 X 1-1/4	T-27
T6B25C150SS	1/4-20 X 1-1/2	T-27
T6B25C200SS	1/4-20 X 2	T-27
T6B25C250SS	1/4-20 X 2-1/2	T-27
T6B25C300SS	1/4-20 X 3	T-27
T6B31C050SS	5/16-18 X 1/2	T-40
T6B31C075SS	5/16-18 X 3/4	T-40
T6B31C100SS	5/16-18 X 1	T-40
T6B31C125SS	5/16-18 X 1-1/4	T-40
T6B31C150SS	5/16-18 X 1-1/2	T-40
T6B31C200SS	5/16-18 X 2	T-40
T6B31C250SS	5/16-18 X 2-1/2	T-40
T6B31C300SS	5/16-18 X 3	T-40
T6B37C075SS	3/8-16 X 3/4	T-45
T6B37C100SS	3/8-16 X 1	T-45
T6B37C125SS	3/8-16 X 1-1/4	T-45
T6B37C150SS	3/8-16 X 1-1/2	T-45
T6B37C200SS	3/8-16 X 2	T-45
T6B37C250SS	3/8-16 X 2-1/2	T-45
T6B37C300SS	3/8-16 X 3	T-45
T6B50C075SS	1/2-13 X 3/4	T-55
T6B50C100SS	1/2-13 X 1	T-55
T6B50C150SS	1/2-13 X 1-1/2	T-55
T6B50C200SS	1/2-13 X 2	T-55
T6B50C250SS	1/2-13 X 2-1/2	T-55
T6B50C300SS	1/2-13 X 3	T-55



6 Lobe Security

Button 6 Lobe Cap Screws

MADE IN THE
USA

Alloy Zinc Plated



PART NO.	SIZE	DRIVE SIZE
T6B6C037AZ	6-32 X 3/8	T-10
T6B6C050AZ	6-32 X 1/2	T-10
T6B6C062AZ	6-32 X 5/8	T-10
T6B6C075AZ	6-32 X 3/4	T-10
T6B6C100AZ	6-32 X 1	T-10
T6B6C150AZ	6-32 X 1-1/2	T-10
T6B6C200AZ	6-32 X 2	T-10
T6B8C025AZ	8-32 X 1/4	T-15
T6B8C037AZ	8-32 X 3/8	T-15
T6B8C050AZ	8-32 X 1/2	T-15
T6B8C062AZ	8-32 X 5/8	T-15
T6B8C075AZ	8-32 X 3/4	T-15
T6B8C100AZ	8-32 X 1	T-15
T6B8C125AZ	8-32 X 1-1/4	T-15
T6B8C150AZ	8-32 X 1-1/2	T-15
T6B8C200AZ	8-32 X 2	T-15
T6B10C050AZ	10-24 X 1/2	T-25
T6B10C075AZ	10-24 X 3/4	T-25
T6B10C100AZ	10-24 X 1	T-25
T6B10C125AZ	10-24 X 1-1/4	T-25
T6B10C150AZ	10-24 X 1-1/2	T-25
T6B10C200AZ	10-24 X 2	T-25
T6B10F050AZ	10-32 X 1/2	T-25
T6B10F075AZ	10-32 X 3/4	T-25
T6B10F100AZ	10-32 X 1	T-25
T6B10F125AZ	10-32 X 1-1/4	T-25
T6B10F150AZ	10-32 X 1-1/2	T-25

PART NO.	SIZE	DRIVE SIZE
T6B12C050AZ	12-24 X 1/2	T-25
T6B12C075AZ	12-24 X 3/4	T-25
T6B25C050AZ	1/4-20 X 1/2	T-27
T6B25C062AZ	1/4-20 X 5/8	T-27
T6B25C075AZ	1/4-20 X 3/4	T-27
T6B25C100AZ	1/4-20 X 1	T-27
T6B25C125AZ	1/4-20 X 1-1/4	T-27
T6B25C150AZ	1/4-20 X 1-1/2	T-27
T6B25C200AZ	1/4-20 X 2	T-27
T6B25C250AZ	1/4-20 X 2-1/2	T-27
T6B25C300AZ	1/4-20 X 3	T-27
T6B31C050AZ	5/16-18 X 1/2	T-40
T6B31C075AZ	5/16-18 X 3/4	T-40
T6B31C100AZ	5/16-18 X 1	T-40
T6B31C125AZ	5/16-18 X 1-1/4	T-40
T6B31C150AZ	5/16-18 X 1-1/2	T-40
T6B31C200AZ	5/16-18 X 2	T-40
T6B31C250AZ	5/16-18 X 2-1/2	T-40
T6B31C300AZ	5/16-18 X 3	T-40
T6B37C075AZ	3/8-16 X 3/4	T-45
T6B37C100AZ	3/8-16 X 1	T-45
T6B37C125AZ	3/8-16 X 1-1/4	T-45
T6B37C150AZ	3/8-16 X 1-1/2	T-45
T6B37C200AZ	3/8-16 X 2	T-45
T6B37C250AZ	3/8-16 X 2-1/2	T-45
T6B37C300AZ	3/8-16 X 3	T-45



6 Lobe Security

Flat 6 Lobe Cap Screws



18/8 Stainless Steel



PART NO.	SIZE	DRIVE SIZE
T6F6C037SS	6-32 X 3/8	T-15
T6F6C050SS	6-32 X 1/2	T-15
T6F6C075SS	6-32 X 3/4	T-15
T6F6C100SS	6-32 X 1	T-15
T6F6C150SS	6-32 X 1-1/2	T-15
T6F6C200SS	6-32 X 2	T-15
T6F8C025USS	8-32 X 1/4 (Undercut)	T-15
T6F8C037SS	8-32 X 3/8	T-20
T6F8C050SS	8-32 X 1/2	T-20
T6F8C075SS	8-32 X 3/4	T-20
T6F8C100SS	8-32 X 1	T-20
T6F8C125SS	8-32 X 1-1/4	T-20
T6F8C150SS	8-32 X 1-1/2	T-20
T6F8C200SS	8-32 X 2	T-20
T6F10C050USS	10-24 X 1/2 (Undercut)	T-20
T6F10C050SS	10-24 X 1/2	T-25
T6F10C075SS	10-24 X 3/4	T-25
T6F10C100SS	10-24 X 1	T-25
T6F10C125SS	10-24 X 1-1/4	T-25
T6F10C150SS	10-24 X 1-1/2	T-25
T6F10C200SS	10-24 X 2	T-25
T6F10F050SS	10-32 X 1/2	T-25
T6F10F075SS	10-32 X 3/4	T-25
T6F10F100SS	10-32 X 1	T-25
T6F10F125SS	10-32 X 1-1/4	T-25
T6F10F150SS	10-32 X 1-1/2	T-25

PART NO.	SIZE	DRIVE SIZE
T6F12C050USS	12-24 X 1/2 (Undercut)	T-20
T6F12C075USS	12-24 X 3/4 (Undercut)	T-20
T6F12C100SS	12-24 X 1	T-25
T6F25C050USS	1/4-20 X 1/2 (Undercut)	T-27
T6F25C050SS	1/4-20 X 1/2	T-30
T6F25C075USS	1/4-20 X 3/4 (Undercut)	T-27
T6F25C075SS	1/4-20 X 3/4	T-30
T6F25C100SS	1/4-20 X 1	T-30
T6F25C125SS	1/4-20 X 1-1/4	T-30
T6F25C150SS	1/4-20 X 1-1/2	T-30
T6F25C200SS	1/4-20 X 2	T-30
T6F25C250SS	1/4-20 X 2-1/2	T-30
T6F25C300SS	1/4-20 X 3	T-30
T6F31C075SS	5/16-18 X 3/4	T-40
T6F31C100SS	5/16-18 X 1	T-40
T6F31C125SS	5/16-18 X 1-1/4	T-40
T6F31C150SS	5/16-18 X 1-1/2	T-40
T6F31C200SS	5/16-18 X 2	T-40
T6F31C250SS	5/16-18 X 2-1/2	T-40
T6F31C300SS	5/16-18 X 3	T-40
T6F37C075SS	3/8-16 X 3/4	T-45
T6F37C100SS	3/8-16 X 1	T-45
T6F37C125SS	3/8-16 X 1-1/4	T-45
T6F37C150SS	3/8-16 X 1-1/2	T-45
T6F37C200SS	3/8-16 X 2	T-45
T6F37C250SS	3/8-16 X 2-1/2	T-45
T6F37C300SS	3/8-16 X 3	T-45

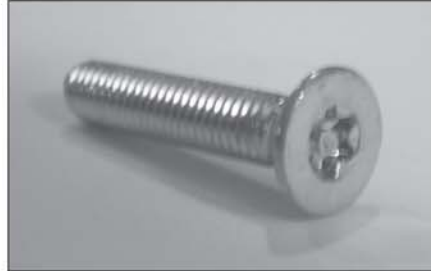


6 Lobe Security

Flat 6 Lobe Cap Screws

MADE IN THE
USA

Alloy Zinc Plated



PART NO.	SIZE	DRIVE SIZE
T6F6C050AZ	6-32 X 1/2	T-15
T6F6C075AZ	6-32 X 3/4	T-15
T6F6C100AZ	6-32 X 1	T-15
T6F6C150AZ	6-32 X 1-1/2	T-15
T6F8C050AZ	8-32 X 1/2	T-20
T6F8C075AZ	8-32 X 3/4	T-20
T6F8C100AZ	8-32 X 1	T-20
T6F8C125AZ	8-32 X 1-1/4	T-20
T6F8C150AZ	8-32 X 1-1/2	T-20
T6F8C200AZ	8-32 X 2	T-20
T6F10C050AZ	10-24 X 1/2	T-25
T6F10C075AZ	10-24 X 3/4	T-25
T6F10C100AZ	10-24 X 1	T-25
T6F10C125AZ	10-24 X 1-1/4	T-25
T6F10C150AZ	10-24 X 1-1/2	T-25
T6F10F050AZ	10-32 X 1/2	T-25
T6F10F075AZ	10-32 X 3/4	T-25
T6F10F100AZ	10-32 X 1	T-25
T6F10F125AZ	10-32 X 1-1/4	T-25
T6F10F150AZ	10-32 X 1-1/2	T-25
T6F12C050UAZ	12-24 X 1/2 (Undercut)	T-20
T6F12C075AZ	12-24 X 3/4	T-25

PART NO.	SIZE	DRIVE SIZE
T6F12C100AZ	12-24 X 1	T-25
T6F25C050UAZ	1/4-20 X 1/2 (Undercut)	T-27
T6F25C075AZ	1/4-20 X 3/4	T-30
T6F25C100AZ	1/4-20 X 1	T-30
T6F25C125AZ	1/4-20 X 1-1/4	T-30
T6F25X150AZ	1/4-20 X 1-1/2	T-30
T6F25C200AZ	1/4-20 X 2	T-30
T6F31C075AZ	5/16-18 X 3/4	T-40
T6F31C100AZ	5/16-18 X 1	T-40
T6F31C125AZ	5/16-18 X 1-1/4	T-40
T6F31C150AZ	5/16-18 X 1-1/2	T-40
T6F31C200AZ	5/16-18 X 2	T-40
T6F31C250AZ	5/16-18 X 2-1/2	T-40
T6F31C300AZ	5/16-18 X 3	T-40
T6F37C050AZ	3/8-16 X 1/2	T-45
T6F37C075AZ	3/8-16 X 3/4	T-45
T6F37C100AZ	3/8-16 X 1	T-45
T6F37C150AZ	3/8-16 X 1-1/2	T-45
T6F37C200AZ	3/8-16 X 2	T-45
T6F37C250AZ	3/8-16 X 2-1/2	T-45
T6F37C300AZ	3/8-16 X 3	T-45



6 Lobe Security

Button 6 Lobe Sheet Metal Screws

18/8 Stainless Steel



Steel Zinc Plated



PART NO.	SIZE	DRIVE SIZE
T6B6X050SS	6 X 1/2	T-10
T6B6X075SS	6 X 3/4	T-10
T6B6X100SS	6 X 1	T-10
T6B6X150SS	6 X 1-1/2	T-10
T6B6X200SS	6 X 2	T-10
T6B8X050SS	8 X 1/2	T-15
T6B8X075SS	8 X 3/4	T-15
T6B8X100SS	8 X 1	T-15
T6B8X125SS	8 X 1-1/4	T-15
T6B8X150SS	8 X 1-1/2	T-15
T6B8X200SS	8 X 2	T-15
T6B8X300SS	8 X 3 (2" Thread)	T-15
T6B10X050SS	10 X 1/2	T-25
T6B10X075SS	10 X 3/4	T-25
T6B10X100SS	10 X 1	T-25
T6B10X125SS	10 X 1-1/4	T-25
T6B10X150SS	10 X 1-1/2	T-25
T6B10X200SS	10 X 2	T-25
T6B10X250SS	10 X 2-1/2	T-25
T6B10X300SS	10 X 3	T-25
T6B12X050SS	12 X 1/2	T-25
T6B12X075SS	12 X 3/4	T-25
T6B12X100SS	12 X 1	T-25
T6B12X125SS	12 X 1-1/4	T-25
T6B12X150SS	12 X 1-1/2	T-25
T6B12X200SS	12 X 2	T-25
T6B12X250SS	12 X 2-1/2	T-25
T6B12X300SS	12 X 3	T-25
T6B25X050SS	14 X 1/2	T-27
T6B25X075SS	14 X 3/4	T-27
T6B25X100SS	14 X 1	T-27
T6B25X125SS	14 X 1-1/4	T-27
T6B25X150SS	14 X 1-1/2	T-27
T6B25X200SS	14 X 2	T-27
T6B25X250SS	14 X 2-1/2	T-27
T6B25X300SS	14 X 3	T-27

PART NO.	SIZE	DRIVE SIZE
T6B6X050SZ	6 X 1/2	T-10
T6B6X075SZ	6 X 3/4	T-10
T6B6X100SZ	6 X 1	T-10
T6B8X050SZ	8 X 1/2	T-15
T6B8X075SZ	8 X 3/4	T-15
T6B8X100SZ	8 X 1	T-15
T6B8X125SZ	8 X 1-1/4	T-15
T6B8X150SZ	8 X 1-1/2	T-15
T6B10X050SZ	10 X 1/2	T-25
T6B10X075SZ	10 X 3/4	T-25
T6B10X100SZ	10 X 1	T-25
T6B10X150SZ	10 X 1-1/2	T-25
T6B10X200SZ	10 X 2	T-25
T6B10X300SZ	10 X 3	T-25
T6B25X075SZ	14 X 3/4	T-27
T6B25X100SZ	14 X 1	T-27
T6B25X150SZ	14 X 1-1/2	T-27
T6B25X200SZ	14 X 2	T-27
T6B25X300SZ	14 X 3	T-27



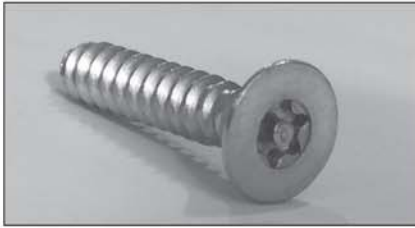
6 Lobe Security

Flat 6 Lobe Sheet Metal Screws

18/8 Stainless Steel

MADE IN THE
USA

Steel Zinc Plated



PART NO.	SIZE	DRIVE SIZE
T6F6X050SS	6 X 1/2	T-15
T6F6X075SS	6 X 3/4	T-15
T6F6X100SS	6 X 1	T-15
T6F6X150SS	6 X 1-1/2	T-15
T6F6X200SS	6 X 2	T-15
T6F8X050SS	8 X 1/2	T-20
T6F8X075SS	8 X 3/4	T-20
T6F8X100SS	8 X 1	T-20
T6F8X125SS	8 X 1-1/4	T-20
T6F8X150SS	8 X 1-1/2	T-20
T6F8X200SS	8 X 2	T-20
T6F10X050SS	10 X 1/2	T-25
T6F10X075SS	10 X 3/4	T-25
T6F10X100SS	10 X 1	T-25
T6F10X150SS	10 X 1-1/2	T-25
T6F10X200SS	10 X 2	T-25
T6F10X300SS	10 X 3	T-25
T6F12X050SS	12 X 1/2	T-25
T6F12X075SS	12 X 3/4	T-25
T6F12X100SS	12 X 1	T-25
T6F12X125SS	12 X 1-1/4	T-25
T6F12X150SS	12 X 1-1/2	T-25
T6F12X200SS	12 X 2	T-25
T6F12X250SS	12 X 2-1/2	T-25
T6F12X300SS	12 X 3	T-25
T6F25X075SS	14 X 3/4	T-30
T6F25X100SS	14 X 1	T-30
T6F25X125SS	14 X 1-1/4	T-30
T6F25X150SS	14 X 1-1/2	T-30
T6F25X200SS	14 X 2	T-30
T6F25X300SS	14 X 3	T-30

PART NO.	SIZE	DRIVE SIZE
T6F6X050SZ	6 X 1/2	T-15
T6F6X075SZ	6 X 3/4	T-15
T6F6X100SZ	6 X 1	T-15
T6F6X150SZ	6 X 1-1/2	T-15
T6F8X050SZ	8 X 1/2	T-20
T6F8X075SZ	8 X 3/4	T-20
T6F8X100SZ	8 X 1	T-20
T6F8X125SZ	8 X 1-1/4	T-20
T6F8X150SZ	8 X 1-1/2	T-20
T6F10X075SZ	10 X 3/4	T-25
T6F10X100SZ	10 X 1	T-25
T6F10X150SZ	10 X 1-1/2	T-25
T6F10X200SZ	10 X 2	T-25
T6F25X075SZ	14 X 3/4	T-30
T6F25X100SZ	14 X 1	T-30
T6F25X150SZ	14 X 1-1/2	T-30
T6F25X200SZ	14 X 2	T-30



6 Lobe Security

Pan 6 Lobe Self Drill

410 Stainless Steel



PART NO.	SIZE	DRIVE SIZE
T6P8SD050SS	8 X 1/2	T-20
T6P8SD075SS	8 X 3/4	T-20
T6P8SD100SS	8 X 1	T-20
T6P8SD125SS	8 X 1-1/4	T-20
T6P8SD150SS	8 X 1-1/2	T-20
T6P10SD050SS	10 X 1/2	T-25
T6P10SD075SS	10 X 3/4	T-25
T6P10SD100SS	10 X 1	T-25
T6P10SD125SS	10 X 1-1/4	T-25
T6P10SD150SS	10 X 1-1/2	T-25
T6P10SD200SS	10 X 2	T-25
T6P12SD075SS	12 X 3/4	T-25
T6P12SD100SS	12 X 1	T-25
T6P12SD150SS	12 X 1-1/2	T-25
T6P12SD200SS	12 X 2	T-25
T6P25SD075SS	14 X 3/4	T-30
T6P25SD100SS	14 X 1	T-30
T6P25SD150SS	14 X 1-1/2	T-30
T6P25SD200SS	14 X 2	T-30



Button Head 6 Lobe Self Drill

Steel Zinc Plated



PART NO.	SIZE	DRIVE SIZE
T6B8SD050SZ	8 X 1/2	T-15
T6B8SD075SZ	8 X 3/4	T-15
T6B8SD100SZ	8 X 1	T-15
T6B8SD150SZ	8 X 1-1/2	T-15
T6B10SD050SZ	10 X 1/2	T-25
T6B10SD075SZ	10 X 3/4	T-25
T6B10SD100SZ	10 X 1	T-25
T6B10SD150SZ	10 X 1-1/2	T-25
T6B10SD200SZ	10 X 2	T-25
T6B25FSD075SZ	14 X 3/4	T-30
T6B25FSD100SZ	14 X 1	T-30
T6B25SD150SZ	14 X 1-1/2	T-30
T6B25SD200SZ	14 X 2	T-30
T6B25FSD075SZ	14-28 X 3/4	T-27
T6B25FSD100SZ	14-28 X 1	T-27



6 Lobe Security

Flat Head 6 Lobe Self Drill

410 Stainless Steel



Steel Zinc Plated



PART NO.	SIZE	DRIVE SIZE
T6F8SD050SS	8 X 1/2	T15
T6F8SD075SS	8 X 3/4	T15
T6F8SD100SS	8 X 1	T15
T6F8SD125SS	8 X 1-1/4	T15
T6F8SD150SS	8 X 1-1/2	T15
T6F8SD200SS	8 X 2	T15
T6F10SD050SS	10 X 1/2	T20
T6F10SD075SS	10 X 3/4	T20
T6F10SD100SS	10 X 1	T20
T6F10SD125SS	10 X 1-1/4	T20
T6F10SD150SS	10 X 1-1/2	T20
T6F10SD200SS	10 X 2	T20
T6F12SD100SS	12 X 1	T25
T6F12SD150SS	12 X 1-1/2	T25
T6F25SD075SS	14 X 3/4	T27
T6F25SD100SS	14 X 1	T27
T6F25SD150SS	14 X 1-1/2	T27
T6F25SD200SS	14 X 2	T27
T6F25SD300SS	14 X 3	T27

PART NO.	SIZE	DRIVE SIZE
T6F8SD050SZ	8 X 1/2	T-15
T6F8SD075SZ	8 X 3/4	T-15
T6F8SD100SZ	8 X 1	T-15
T6F8SD125SZ	8 X 1-1/4	T-15
T6F8SD150SZ	8 X 1-1/2	T-15
T6F10SD050SZ	10 X 1/2	T-20
T6F10SD075SZ	10 X 3/4	T-20
T6F10SD100SZ	10 X 1	T-20
T6F10SD150SZ	10 X 1-1/2	T-20
T6F10SD200SZ	10 X 2	T-20
T6F25SD100SZ	14 X 1	T-27
T6F25SD150SZ	14 X 1-1/2	T-27
T6F25SD200SZ	14 X 2	T-27

Oval Head 6 Lobe Self Drill



Steel Zinc Plated



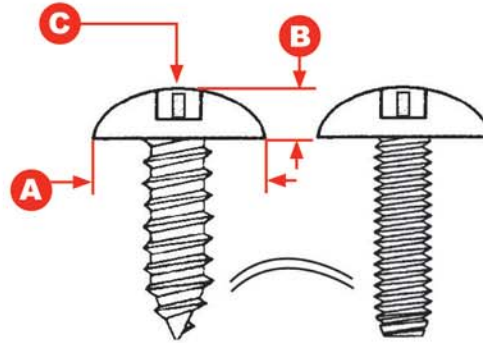
PART NO.	SIZE	DRIVE SIZE
T6V6SD125SZ	6 X 1-1/4	T-15
T6V8SD125SZ	8 X 1-1/4	T-15



6 Lobe Security

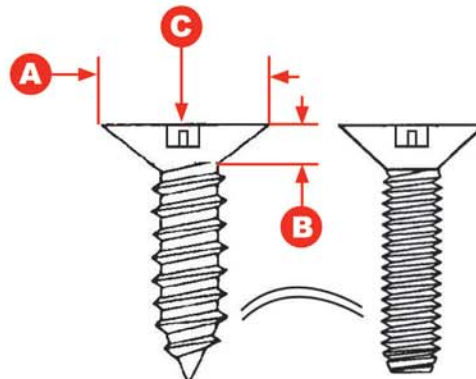
Technical Data

Button Head



Nominal Size	Basic Screw Diameter	Head Diameter (A)		Head Height (B)		Drive Size (C)
		Max	Min	Max	Min	
4	0.1120	0.213	0.201	0.059	0.051	T8
6	0.1380	0.262	0.250	0.073	0.063	T10
8	0.1640	0.312	0.298	0.087	0.077	T15
10	0.1900	0.361	0.347	0.101	0.091	T25
1/4	0.2500	0.437	0.419	0.132	0.122	T27
5/16	0.3125	0.547	0.527	0.166	0.152	T40
3/8	0.3750	0.656	0.636	0.199	0.185	T45
1/2	0.5000	1.000	0.970	0.265	0.245	T55

Flat Head



Nominal Size	Basic Screw Diameter	Head Diameter (A)		Head Height (B)		Drive Size (C)
		Theoretical Sharp Max	Absolute Min	Reference	Flushness Tolerance	
4	0.1120	0.255	0.218	0.083	0.011	T10
6	0.1380	0.307	0.263	0.097	0.013	T15
8	0.1640	0.359	0.311	0.112	0.014	T20
10	0.1900	0.411	0.359	0.127	0.015	T25
1/4	0.2500	0.531	0.480	0.161	0.016	T30
5/16	0.3125	0.656	0.600	0.198	0.017	T40
3/8	0.3750	0.781	0.720	0.234	0.018	T45



Torx® Security

Button Head Torx® Masonry Screw*

Flat Head Torx® Masonry Screw*

MADE IN THE
USA



PART NO.	SIZE	DRIVE SIZE
S25K125BZ	1/4 X 1-1/4	TT27
S25K175BZ	1/4 X 1-3/4	TT27
S25K225BZ	1/4 X 2-1/4	TT27
S25K275BZ	1/4 X 2-3/4	TT27

PART NO.	SIZE	DRIVE SIZE
S25K125FZ	1/4 X 1-1/4	TT27
S25K175FZ	1/4 X 1-3/4	TT27
S25K225FZ	1/4 X 2-1/4	TT27
S25K275FZ	1/4 X 2-3/4	TT27
S25K325FZ	1/4 X 3-1/4	TT27

* Torx® Security Masonry Screws are the best solution when needed in masonry such as concrete, brick, or hollow brick. It is the perfect combination of Tamper-Resistant security, superior quality and easy installation.

Its high and sharp thread taps securely and easily into masonry. Its notched cutting edge and alternating low thread makes driving fast and accurate.

A Stalgard finish provides superior corrosion resistance. Typically, fasteners with a Stalgard coated finish show no red rust or other base material corrosion on significant surfaces even after 800 hours of 5% neutral salt spray exposure (ASTMB117).

Torx® is a Registered Trademark of Acument Global Technologies.

© 2015 Screw and Supply Inc.

FOR ADDITIONAL INFORMATION LOG ON TO WWW.SCREWSUPPLY.COM



Hex Socket Security

Button Hex Socket Cap Screws



18/8 Stainless Steel



PART NO.	SIZE	DRIVE SIZE
THB6C037SS	6-32 X 3/8	1/8
THB6C050SS	6-32 X 1/2	1/8
THB6C075SS	6-32 X 3/4	1/8
THB6C100SS	6-32 X 1	1/8
THB6C150SS	6-32 X 1-1/2	1/8
THB8C037SS	8-32 X 3/8	5/32
THB8C050SS	8-32 X 1/2	5/32
THB8C075SS	8-32 X 3/4	5/32
THB8C100SS	8-32 X 1	5/32
THB8C150SS	8-32 X 1-1/2	5/32
THB10C050SS	10-24 X 1/2	5/32
THB10C062SS	10-24 X 5/8	5/32
THB10C075SS	10-24 X 3/4	5/32
THB10C100SS	10-24 X 1	5/32
THB10C125SS	10-24 X 1-1/4	5/32
THB10C150SS	10-24 X 1-1/2	5/32
THB10F037SS	10-32 X 3/8	5/32
THB10F050SS	10-32 X 1/2	5/32
THB10F075SS	10-32 X 3/4	5/32
THB10F100SS	10-32 X 1	5/32
THB10F150SS	10-32 X 1-1/2	5/32

PART NO.	SIZE	DRIVE SIZE
THB25C050SS	1/4-20 X 1/2	5/32
THB25C075SS	1/4-20 X 3/4	5/32
THB25C100SS	1/4-20 X 1	5/32
THB25C125SS	1/4-20 X 1-1/4	5/32
THB25C150SS	1/4-20 X 1-1/2	5/32
THB25C200SS	1/4-20 X 2	5/32
THB25C300SS	1/4-20 X 3	5/32
THB31C050SS	5/16-18 X 1/2	3/16
THB31C075SS	5/16-18 X 3/4	3/16
THB31C100SS	5/16-18 X 1	3/16
THB31C150SS	5/16-18 X 1-1/2	3/16
THB31C200SS	5/16-18 X 2	3/16
THB37C050SS	3/8-16 X 1/2	7/32
THB37C075SS	3/8-16 X 3/4	7/32
THB37C100SS	3/8-16 X 1	7/32
THB37C125SS	3/8-16 X 1-1/4	7/32
THB37C150SS	3/8-16 X 1-1/2	7/32
THB37C200SS	3/8-16 X 2	7/32
THB37C250SS	3/8-16 X 2-1/2	7/32
THB37C300SS	3/8-16 X 3	7/32
THB37C400SS	3/8-16 X 4	7/32



Hex Socket Security

Button Hex Socket Cap Screws

MADE IN THE
USA

Alloy Black Oxide



PART NO.	SIZE	DRIVE SIZE
THB6C037AB	6-32 X 3/8	1/8
THB6C050AB	6-32 X 1/2	1/8
THB6C075AB	6-32 X 3/4	1/8
THB8C037AB	8-32 X 3/8	5/32
THB8C050AB	8-32 X 1/2	5/32
THB8C075AB	8-32 X 3/4	5/32
THB10C050AB	10-24 X 1/2	5/32
THB10C062AB	10-24 X 5/8	5/32
THB10C075AB	10-24 X 3/4	5/32
THB10C100AB	10-24 X 1	5/32
THB10F037AB	10-32 X 3/8	5/32
THB10F050AB	10-32 X 1/2	5/32
THB10F075AB	10-32 X 3/4	5/32
THB10F100AB	10-32 X 1	5/32

PART NO.	SIZE	DRIVE SIZE
THB25C050AB	1/4-20 X 1/2	5/32
THB25C062AB	1/4-20 X 5/8	5/32
THB25C075AB	1/4-20 X 3/4	5/32
THB25C100AB	1/4-20 X 1	5/32
THB25C125AB	1/4-20 X 1-1/4	5/32
THB25C150AB	1/4-20 X 1-1/2	5/32
THB25C200AB	1/4-20 X 2	5/32
THB31C050AB	5/16-18 X 1/2	3/16
THB31C075AB	5/16-18 X 3/4	3/16
THB31C100AB	5/16-18 X 1	3/16
THB31C150AB	5/16-18 X 1-1/2	3/16
THB31C200AB	5/16-18 X 2	3/16
THB37C075AB	3/8-16 X 3/4	7/32
THB37C100AB	3/8-16 X 1	7/32



Hex Socket Security

Flat Hex Socket Cap Screws

18/8 Stainless Steel

MADE IN THE
USA

Alloy Black Oxide



PART NO.	SIZE	DRIVE SIZE
THF6C037SS	6-32 X 3/8	1/8
THF6C050SS	6-32 X 1/2	1/8
THF6C075SS	6-32 X 3/4	1/8
THF6C100SS	6-32 X 1	1/8
THF8C037SS	8-32 X 3/8	5/32
THF8C050SS	8-32 X 1/2	5/32
THF8C075SS	8-32 X 3/4	5/32
THF8C100SS	8-32 X 1	5/32
THF10C037SS	10-24 X 3/8	5/32
THF10C050SS	10-24 X 1/2	5/32
THF10C075SS	10-24 X 3/4	5/32
THF10C100SS	10-24 X 1	5/32
THF10C150SS	10-24 X 1-1/2	5/32
THF10F037SS	10-32 X 3/8	5/32
THF10F050SS	10-32 X 1/2	5/32
THF10F075SS	10-32 X 3/4	5/32
THF10F100SS	10-32 X 1	5/32
THF10F150SS	10-32 X 1-1/2	5/32
THF25C050SS	1/4-20 X 1/2	5/32
THF25C075SS	1/4-20 X 3/4	5/32
THF25C100SS	1/4-20 X 1	5/32
THF25C125SS	1/4-20 X 1-1/4	5/32
THF25C150SS	1/4-20 X 1-1/2	5/32
THF25C200SS	1/4-20 X 2	5/32
THF25C225SS	1/4-20 X 2-1/4	5/32
THF25C300SS	1/4-20 X 3	5/32
THF31C075SS	5/16-18 X 3/4	3/16
THF31C100SS	5/16-18 X 1	3/16
THF37C075SS	3/8-16 X 3/4	7/32
THF37C100SS	3/8-16 X 1	7/32

PART NO.	SIZE	DRIVE SIZE
THF6C025AB	6-32 X 1/4	1/8
THF6C037AB	6-32 X 3/8	1/8
THF6C050AB	6-32 X 1/2	1/8
THF6C075AB	6-32 X 3/4	1/8
THF8C050AB	8-32 X 1/2	5/32
THF10C050AB	10-24 X 1/2	5/32
THF10C075AB	10-24 X 3/4	5/32
THF10F075AB	10-32 X 3/4	5/32
THF25C050AB	1/4-20 X 1/2	5/32
THF25C075AB	1/4-20 X 3/4	5/32
THF25C100AB	1/4-20 X 1	5/32
THF25C200AB	1/4-20 X 2	5/32
THF31C075AB	5/16-18 X 3/4	3/16
THF37C075AB	3/8-16 X 3/4	7/32



Hex Socket Security

Button Hex Socket Sheet Metal Screw

18/8 Stainless Steel



Steel Black Oxide



PART NO.	SIZE	
THB6X037SS	6 X 3/8	1/8
THB6X050SS	6 X 1/2	1/8
THB6X075SS	6 X 3/4	1/8
THB6X100SS	6 X 1	1/8
THB6X150SS	6 X 1-1/2	1/8
THB8X037SS	8 X 3/8	5/32
THB8X050SS	8 X 1/2	5/32
THB8X075SS	8 X 3/4	5/32
THB8X100SS	8 X 1	5/32
THB8X125SS	8 X 1-1/4	5/32
THB8X150SS	8 X 1-1/2	5/32
THB8X200SS	8 X 2	5/32
THB10X050SS	10 X 1/2	5/32
THB10X075SS	10 X 3/4	5/32
THB10X100SS	10 X 1	5/32
THB10X150SS	10 X 1-1/2	5/32
THB25X050SS	14 X 1/2	5/32
THB25X075SS	14 X 3/4	5/32
THB25X100SS	14 X 1	5/32
THB25X125SS	14 X 1-1/4	5/32
THB25X150SS	14 X 1-1/2	5/32
THB25X200SS	14 X 2	5/32

PART NO.	SIZE	DRIVE SIZE
THB6X050SB	6 X 1/2	1/8
THB6X075SB	6 X 3/4	1/8
THB6X100SB	6 X 1	1/8
THB8X037SB	8 X 3/8	5/32
THB8X050SB	8 X 1/2	5/32
THB8X075SB	8 X 3/4	5/32
THB8X100SB	8 X 1	5/32
THB8X125SB	8 X 1-1/4	5/32
THB10X050SB	10 X 1/2	5/32
THB10X100SB	10 X 1	5/32
THB10X150SB	10 X 1-1/2	5/32
THB25X050SB	14 X 1/2	5/32
THB25X075SB	14 X 3/4	5/32



Hex Socket Security

Flat Hex Socket Sheet Metal Screw

18/8 Stainless Steel



Steel Black Oxide



PART NO.	SIZE	DRIVE SIZE
THF6X050SS	6 X 1/2	1/8
THF6X075SS	6 X 3/4	1/8
THF6X100SS	6 X 1	1/8
THF8X075SS	8 X 3/4	5/32
THF8X100SS	8 X 1	5/32
THF8X150SS	8 X 1-1/2	5/32
THF10X050SS	10 X 1/2	5/32
THF10X075SS	10 X 3/4	5/32
THF10X100SS	10 X 1	5/32
THF10X150SS	10 X 1-1/2	5/32
THF10X200SS	10 X 2	5/32
THF25X075SS	14 X 3/4	5/32
THF25X125SS	14 X 1-1/4	5/32
THF25X150SS	14 X 1-1/2	5/32
THF25X200SS	14 X 2	5/32

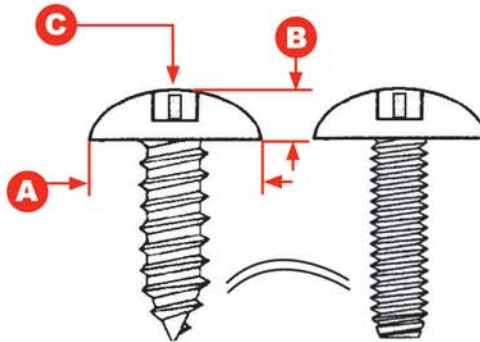
PART NO.	SIZE	DRIVE SIZE
THF6X050SB	6 X 1/2	1/8
THF6X100SB	6 X 1	1/8
THF8X050SB	8 X 1/2	5/32
THF8X075SB	8 X 3/4	5/32
THF8X100SB	8 X 1	5/32
THF10X050SB	10 X 1/2	5/32
THF10X075SB	10 X 3/4	5/32
THF10X100SB	10 X 1	5/32
THF10X150SB	10 X 1-1/2	5/32



Hex Socket Security

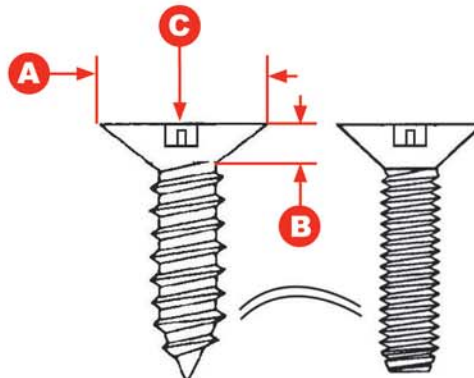
Technical Data

Button Head



Nominal Size	Basic Screw Diameter	Head Diameter (A)		Head Height (B)		Hex Size (C)
		Max	Min	Max	Min	
4	0.1120	0.213	0.201	0.059	0.051	3/32
6	0.1380	0.262	0.250	0.073	0.063	1/8
8	0.1640	0.312	0.298	0.087	0.077	5/32
10	0.1900	0.361	0.347	0.101	0.091	5/32
1/4	0.2500	0.437	0.419	0.132	0.122	5/32
5/16	0.3125	0.547	0.527	0.166	0.152	3/16
3/8	0.3750	0.656	0.636	0.199	0.185	7/32

Flat Head



Nominal Size	Basic Screw Diameter	Head Diameter (A)		Head Height (B)		Hex Size (C)
		Theoretical Sharp	Absolute Max	Reference	Flushness Tolerance	
4	0.1120	0.255	0.218	0.083	0.011	3/32
6	0.1380	0.307	0.263	0.097	0.013	1/8
8	0.1640	0.359	0.311	0.112	0.014	5/32
10	0.1900	0.411	0.359	0.127	0.015	5/32
1/4	0.2500	0.531	0.480	0.161	0.016	5/32
5/16	0.3125	0.656	0.600	0.198	0.017	3/16
3/8	0.3750	0.781	0.720	0.234	0.018	7/32



Spanner Screws

Pan Spanner

Machine Screw 18/8 Stainless Steel

MADE IN THE
USA

Sheet Metal Screw 18/8 Stainless Steel



PART NO.	SIZE
SPP6C037SS	6-32 X 3/8
SPP6C050SS	6-32 X 1/2
SPP6C062SS	6-32 X 5/8
SPP6C075SS	6-32 X 3/4
SPP6C100SS	6-32 X 1
SPP6C125SS	6-32 X 1-1/4
SPP6C150SS	6-32 X 1-1/2
SPP6C200SS	6-32 X 2
SPP8C037SS	8-32 X 3/8
SPP8C050SS	8-32 X 1/2
SPP8C062SS	8-32 X 5/8
SPP8C075SS	8-32 X 3/4
SPP8C100SS	8-32 X 1
SPP8C125SS	8-32 X 1-1/4
SPP8C150SS	8-32 X 1-1/2
SPP8C200SS	8-32 X 2
SPP10C037SS	10-24 X 3/8
SPP10C050SS	10-24 X 1/2
SPP10C062SS	10-24 X 5/8
SPP10C075SS	10-24 X 3/4
SPP10C100SS	10-24 X 1
SPP10C125SS	10-24 X 1-1/4
SPP10C150SS	10-24 X 1-1/2
SPP10C200SS	10-24 X 2
SPP10F037SS	10-32 X 3/8
SPP10F050SS	10-32 X 1/2
SPP10F062SS	10-32 X 5/8
SPP10F075SS	10-32 X 3/4
SPP10F100SS	10-32 X 1
SPP10F125SS	10-32 X 1-1/4
SPP10F150SS	10-32 X 1-1/2
SPP10F200SS	10-32 X 2
SPP12C050SS	12-24 X 1/2
SPP12C075SS	12-24 X 3/4
SPP25C050SS	1/4-20 X 1/2
SPP25C062SS	1/4-20 X 5/8
SPP25C075SS	1/4-20 X 3/4
SPP25C100SS	1/4-20 X 1
SPP25C125SS	1/4-20 X 1-1/4
SPP25C150SS	1/4-20 X 1-1/2
SPP25C200SS	1/4-20 X 2

PART NO.	SIZE
SPP6A025SS	6 X 1/4
SPP6A037SS	6 X 3/8
SPP6A050SS	6 X 1/2
SPP6A062SS	6 X 5/8
SPP6A075SS	6 X 3/4
SPP6A100SS	6 X 1
SPP6A125SS	6 X 1-1/4
SPP6A150SS	6 X 1-1/2
SPP8A075SS	8 X 3/4
SPP8A100SS	8 X 1
SPP8A125SS	8 X 1-1/4
SPP8A150SS	8 X 1-1/2
SPP8A200SS	8 X 2
SPP10A050SS	10 X 1/2
SPP10A062SS	10 X 5/8
SPP10A075SS	10 X 3/4
SPP10A100SS	10 X 1
SPP10A125SS	10 X 1-1/4
SPP10A150SS	10 X 1-1/2
SPP10A200SS	10 X 2
SPP12A050SS	12 X 1/2
SPP12A075SS	12 X 3/4
SPP12A100SS	12 X 1
SPP12A125SS	12 X 1-1/4
SPP12A0150SS	12 X 1-1/2
SPP12A200SS	12 X 2
SPP25A050SS	14 X 1/2
SPP25A075SS	14 X 3/4
SPP25A125SS	14 X 1-1/4
SPP25A150SS	14 X 1-1/2
SPP25A200SS	14 X 2



Spanner Screws

MADE IN THE
USA

Flat Spanner

Machine Screw
18/8 Stainless Steel



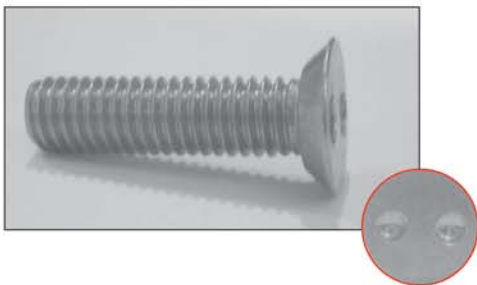
PART NO.	SIZE
SPF6C037SS	6-32 X 3/8
SPF6C050SS	6-32 X 1/2
SPF6C062SS	6-32 X 5/8
SPF6C075SS	6-32 X 3/4
SPF6C100SS	6-32 X 1
SPF6C125SS	6-32 X 1-1/4
SPF6C150SS	6-32 X 1-1/2
SPF6C200SS	6-32 X 2
SPF8C037SS	8-32 X 3/8
SPF8C050SS	8-32 X 1/2
SPF8C062SS	8-32 X 5/8
SPF8C075SS	8-32 X 3/4
SPF8C100SS	8-32 X 1
SPF8C125SS	8-32 X 1-1/4
SPF8C150SS	8-32 X 1-1/2
SPF8C200SS	8-32 X 2
SPF10C037SS	10-24 X 3/8
SPF10C050SS	10-24 X 1/2
SPF10C062SS	10-24 X 5/8
SPF10C075SS	10-24 X 3/4
SPF10C100SS	10-24 X 1

PART NO.	SIZE
SPF10C125SS	10-24 X 1-1/4
SPF10C150SS	10-24 X 1-1/2
SPF10C200SS	10-24 X 2
SPF10F037SS	10-32 X 3/8
SPF10F050SS	10-32 X 1/2
SPF10F062SS	10-32 X 5/8
SPF10F075SS	10-32 X 3/4
SPF10F100SS	10-32 X 1
SPF10F125SS	10-32 X 1-1/4
SPF10F150SS	10-32 X 1-1/2
SPF10F200SS	10-32 X 2
SPF25C050SS	1/4-20 X 1/2
SPF25C062SS	1/4-20 X 5/8
SPF25C075SS	1/4-20 X 3/4
SPF25C100SS	1/4-20 X 1
SPF25C125SS	1/4-20 X 1-1/4
SPF25C150SS	1/4-20 X 1-1/2
SPF25C200SS	1/4-20 X 2
SPF25C225SS	1/4-20 X 2-1/4
SPF25C250SS	1/4-20 X 2-1/2

MADE IN THE
USA

Flat Undercut Spanner

Machine Screw
18/8 Stainless Steel



PART NO.	SIZE
SPF8C025USS	8-32 X 1/4
SPF8C050USS	8-32 X 1/2
SPF10C050USS	10-24 X 1/2
SPF10F050USS	10-32 X 1/2
SPF12C050USS	12-24 X 1/2
SPF12C062USS	12-24 X 5/8
SPF12C07USS	12-24 X 3/4



Spanner Screws

Flat Spanner

Sheet Metal Screw 18/8 Stainless Steel



PART NO.	SIZE
SPF6A037SS	6 X 3/8
SPF6A050SS	6 X 1/2
SPF6A062SS	6 X 5/8
SPF6A075SS	6 X 3/4
SPF6A100SS	6 X 1
SPF6A125SS	6 X 1-1/4
SPF6A150SS	6 X 1-1/2
SPF8A050SS	8 X 1/2
SPF8A062SS	8 X 5/8
SPF8A075SS	8 X 3/4
SPF8A100SS	8 X 1
SPF8A125SS	8 X 1-1/4
SPF8A150SS	8 X 1-1/2
SPF8A200SS	8 X 2
SPF10A050USS	10 X 1/2 (Undercut)
SPF10A062SS	10 X 5/8
SPF10A075SS	10 X 3/4
SPF10A100SS	10 X 1
SPF10A150SS	10 X 1-1/2
SPF10A200SS	10 X 2
SPF12A050SS	12 X 1/2
SPF12A075SS	12 X 3/4
SPF12A100SS	12 X 1
SPF12A125SS	12 X 1-1/4
SPF12A150SS	12 X 1-1/2
SPF12A200SS	12 X 2
SPF25A075SS	14 X 3/4
SPF25A100SS	14 X 1
SPF25A125SS	14 X 1-1/4
SPF25A150SS	14 X 1-1/2
SPF25A200SS	14 X 2



Oval Spanner

Machine Screw 18/8 Stainless Steel



PART NO.	SIZE
SPV6C031USS	6-32 X 5/16 (Undercut)
SPV6C037SS	6-32 X 3/8
SPV6C050SS	6-32 X 1/2
SPV6C075SS	6-32 X 3/4
SPV6C100SS	6-32 X 1
SPV8C050SS	8-32 X 1/2
SPV8C075SS	8-32 X 3/4
SPV8C100SS	8-32 X 1
SPV8C125SS	8-32 X 1-1/4
SPV8C150SS	8-32 X 1-1/2
SPV8C200SS	8-32 X 2
SPV10C050SS	10-24 X 1/2
SPV10C075SS	10-24 X 3/4
SPV10C100SS	10-24 X 1
SPV10C125SS	10-24 X 1-1/4
SPV10C150SS	10-24 X 1-1/2
SPV10F050SS	10-32 X 1/2
SPV10F075SS	10-32 X 3/4
SPV10F100SS	10-32 X 1
SPV10F150SS	10-32 X 1-1/2



Trigroove Screws

Machine Screw

Sheet Metal Screw

Steel Zinc Plated



Steel Zinc Plated



PART NO.	SIZE
TR6C037SZ	6-32 X 3/8
TR6C050SZ	6-32 X 1/2
TR6C062SZ	6-32 X 5/8
TR6C075SZ	6-32 X 3/4
TR8C037SZ	8-32 X 3/8
TR8C050SZ	8-32 X 1/2
TR8C062SZ	8-32 X 5/8
TR8C075SZ	8-32 X 3/4
TR8C100SZ	8-32 X 1
TR8C125SZ	8-32 X 1-1/4
TR8C150SZ	8-32 X 1-1/2
TR10C037SZ	10-24 X 3/8
TR10C050SZ	10-24 X 1/2
TR10C062SZ	10-24 X 5/8
TR10C100SZ	10-24 X 1
TR10C125SZ	10-24 X 1-1/4
TR10C150SZ	10-24 X 1-1/2
TR10F037SZ	10-32 X 3/8
TR10F050SZ	10-32 X 1/2
TR10F062SZ	10-32 X 5/8
TR10F100SZ	10-32 X 1
TR10F125SZ	10-32 X 1-1/4
TR10F150SZ	10-32 X 1-1/2
TR25C050SZ	1/4-20 X 1/2
TR25C062SZ	1/4-20 X 5/8
TR25C075SZ	1/4-20 X 3/4
TR25C100SZ	1/4-20 X 1
TR25C150SZ	1/4-20 X 1-1/2
TR25C200SZ	1/4-20 X 2
TR25C250SZ	1/4-20 X 2-1/2

PART NO.	SIZE
TR6X050SZ	6 X 1/2
TR6X075SZ	6 X 3/4
TR6X100SZ	6 X 1
TR8X050SZ	8 X 1/2
TR8X075SZ	8 X 3/4
TR8X100SZ	8 X 1
TR8X150SZ	8 X 1-1/2
TR10X050SZ	10 X 1/2
TR10X075SZ	10 X 3/4
TR10X100SZ	10 X 1
TR10X125SZ	10 X 1-1/4
TR10X150SZ	10 X 1-1/2
TR10X200SZ	10 X 2
TR12X075SZ	12 X 3/4
TR12X100SZ	12 X 1
TR12X125SZ	12 X 1-1/4
TR12X150SZ	12 X 1-1/2
TR25X075SZ	14 X 3/4
TR25X100SZ	14 X 1
TR25X125SZ	14 X 1-1/4
TR25X150SZ	14 X 1-1/2



Round One Way Screws

Machine Screw

Steel Zinc Plated



PART NO.	SIZE
1R6C050SZ	6-32 X 1/2
1R6C075SZ	6-32 X 3/4
1R6C100SZ	6-32 X 1
1R6C150SZ	6-32 X 1-1/2
1R8C050SZ	8-32 X 1/2
1R8C075SZ	8-32 X 3/4
1R8C100SZ	8-32 X 1
1R8C125SZ	8-32 X 1-1/4
1R8C150SZ	8-32 X 1-1/2
1R10C050SZ	10-24 X 1/2
1R10C075SZ	10-24 X 3/4
1R10C100SZ	10-24 X 1
1R10C150SZ	10-24 X 1-1/2
1R10F050SZ	10-32 X 1/2
1R10F075SZ	10-32 X 3/4
1R10F100SZ	10-32 X 1
1R10F150SZ	10-32 X 1-1/2
1R25C050SZ	1/4-20 X 1/2
1R25C075SZ	1/4-20 X 3/4
1R25C100SZ	1/4-20 X 1
1R25C150SZ	1/4-20 X 1-1/2
1R25C200SZ	1/4-20 X 2
1R25C300SZ	1/4-20 X 3

Sheet Metal Screw

Steel Zinc Plated



PART NO.	SIZE
1R6A037SZ	6 X 3/8
1R6A050SZ	6 X 1/2
1R6A062SZ	6 X 5/8
1R6A075SZ	6 X 3/4
1R6A100SZ	6 X 1
1R8A037SZ	8 X 3/8
1R8A050SZ	8 X 1/2
1R8A075SZ	8 X 3/4
1R8A100SZ	8 X 1
1R8A125SZ	8 X 1-1/4
1R8A150SZ	8 X 1-1/2
1R8A200SZ	8 X 2
1R10A050SZ	10 X 1/2
1R10A075SZ	10 X 3/4
1R10A100SZ	10 X 1
1R10A125SZ	10 X 1-1/4
1R10A150SZ	10 X 1-1/2
1R10A200SZ	10 X 2
1R12A050SZ	12 X 1/2
1R12A075SZ	12 X 3/4
1R12A100SZ	12 X 1
1R12A125SZ	12 X 1-1/4
1R12A150SZ	12 X 1-1/2
1R12A200SZ	12 X 2
1R25A050SZ	14 X 1/2
1R25A075SZ	14 X 3/4
1R25A100SZ	14 X 1
1R25A150SZ	14 X 1-1/2
1R25A200SZ	14 X 2
1R25A250SZ	14 X 2-1/2
1R25A300SZ	14 X 3



Security Nuts

Trigroove Nut

Zamak 5 Zinc Alloy



PART NO.	SIZE	SOCKET SIZE
ZTRN10C	10-24	TRS 20
ZTRN10F	10-32	TRS 20
ZTRN14C	1/4-20	TRS 20
ZTRN31C	5/16-18	TRS 30
ZTRN37C	3/8-16	TRS 30
ZTRN50C	1/2-13	TRS 40
ZTRN62C	5/8-11	TRS 40
ZTRNM6C	6MM X 1.0	TRS 30
ZTRNM8C	8MM X 1.25	TRS 30
ZTRNM10C	10MM X 1.50	TRS 40

Break-Away Nut

Zamak 5 Zinc Alloy



PART NO.	SIZE	DRIVE SIZE
ZNB10C	10-24	7/16
ZNB14C	1/4-20	9/16
ZNB31C	5/16-18	5/8
ZNB37C	3/8-16	3/4
ZNB50C	1/2-13	1
ZNB62C	5/8-11	1-1/8
ZNBM6C	M6 X 1.0	9/16
ZNBM8C	M8 X 1.25	5/8
ZNBM10C	M10 X 1.5	3/4
ZNBM12C	M12 X 1.75	1

316 Stainless Steel



PART NO.	SIZE	SOCKET SIZE
SSTRN25C	1/4-20	TRS 20
SSTRN31C	5/16-18	TRS 30
SSTRN37C	3/8-16	TRS 30
SSTRN50C	1/2-13	TRS 40

304 Stainless Steel

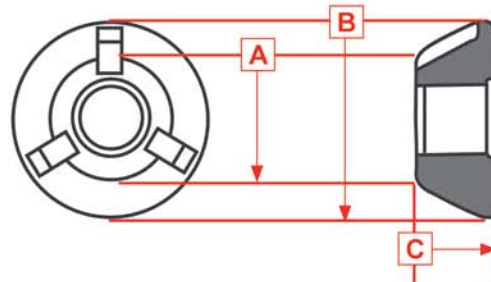


PART NO.	SIZE	DRIVE SIZE
SSNB25C	1/4-20	9/16
SSNB31C	5/16-18	5/8
SSNB37C	3/8-16	3/4
SSNB50C	1/2-13	1
SSNB62C	5/8-11	1-1/8

Security Nuts

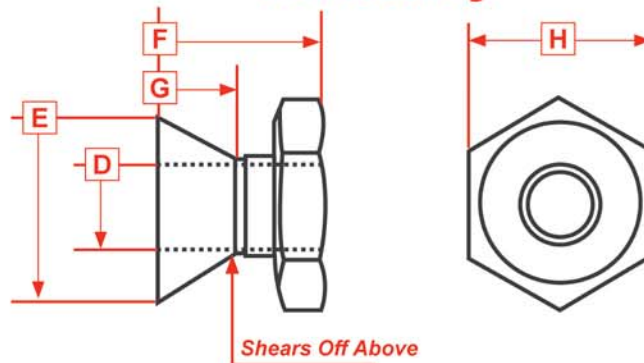
Technical Data

Trigroove



NUT SIZE	SOCKET SIZE	BOTTOM DIAM. (A)	TOP DIAM. (B)	HEIGHT RANGE (C)
10-24	TRS20	.446	.661	.260 / .270
10-32	TRS20	.446	.661	.260 / .270
1/4-20	TRS20	.446	.661	.260 / .270
5/16-18	TRS30	.542	.830	.340 / .350
3/8-16	TRS30	.542	.830	.340 / .350
1/2-13	TRS40	.662	.945	.345 / .355
6MM X 1.0	TRS20	.446	.661	.260 / .270
8MM X 1.25	TRS30	.542	.830	.340 / .350
10MM X 1.5	TRS40	.662	.945	.345 / .355

Break-Away



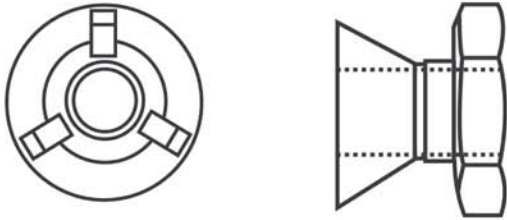
THREAD (D)	BOTTOM DIAM. (E)	OVERALL HEIGHT (F)	NUT HEIGHT (G)	HEX (H)
10-24	0.4375	0.390	0.180	7/16"
1/4-20	0.5625	0.470	0.220	9/16"
5/16-18	0.6250	0.500	0.220	5/8"
3/8-16	0.7500	0.580	0.250	3/4"
1/2-13	1.0000	0.750	0.350	1"
5/8-11	1.1250	0.800	0.370	1-1/8"
M6 X 1.0	.5625	0.470	0.220	9/16"
M8 X 1.25	.6250	0.500	0.220	5/8"
M10 X 1.5	.7500	0.580	0.250	3/4"
M12 X 1.75	1.0000	0.750	0.350	1"



Security Nuts

Technical Data

Zamak 5 (AC41A) (Trigroove & Break-Away Nuts)

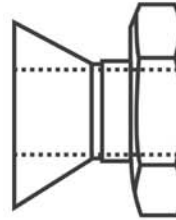


MECHANICAL PROPERTIES	
Tensile Strength P.S.I.	47600
Yield Strength P.S.I. (0.2% offset)	39000
Shear Strength P.S.I.	38000
Elongation 96 inch per inch	7
Hardness BHN	91
Impact Strength Ft.Lb. (CHARPY)	48

CHEMICAL COMPOSITION	
Copper	.75 - 1.25
Aluminum	3.5 - 4.3
Magnesium	0.03 - 0.05
Iron (Max)	0.1
Lead (Max)	0.005
Cadmium (Max)	0.004
Tin (Max)	0.003
Zinc (99.99%+Purity)	Remainder

Trigroove and Break-Away Nuts are manufactured from Zamak 5 Zinc Alloy. Zinc casting alloys are durable and have good strength. They are light weight, rust proof, and highly corrosion resistant. Zamak 5 has the highest impact strength of all the zinc based alloys.

304 Stainless Steel (Break-Away Nuts)



MECHANICAL PROPERTIES	
Offset Yield Strength 0.2% P.S.I.	30,000
Ultimate Tensile Strength PSI	75,000
Elongation % in 2in.	40
Hardness, Max. Brinell	201

CHEMICAL COMPOSITION	
Carbon	0.08
Manganese	2
Phosphorus	0.045
Sulfur	0.03
Chromium	0.75
Cadmium (max.)	18.0 - 20.0
Nickel	8.0 - 10.5
Aluminum	0.1

We want to be **Special** to you!



SPECIALS TO PRINT OR TO SAMPLE

We offer low minimum quantity requirements (5000 in most cases)
Quick Deliveries and Reasonable Pricing



Socket Styles

Socket, Low Socket (Knurled or (Unknurled)
Button Head, Flat Head
Cap Screw or Sheet Metal Threads
(with or without Security Pins)
#4 - #14 Sheet Metal
4-40 - 1/2-13 Cap or Machine Screws
1/2-13 Socket Products - 1000 minimum!

Point Styles

- Type 'A' 
- Type 'AB' 
- Type 'B' 
- Type 'C' 
- Type 'CA' 
- Type 'F' 
- Type 'HI-LO' 
- Type 'PT' 
- Type 'TT' 

Drive Styles

-  6 Lobe
-  6 Lobe Security
-  Hex
-  Hex Security
-  Phillips
-  Square

Head Styles

-  Flat
-  Flat Undercut
-  Oval
-  Oval Undercut
-  Pan
-  Round
-  Fillister
-  Truss
-  Round Washer
-  Tri-Groove

Materials: 1018, 1022, 4037 Alloy Steel, 18/8 Stainless Steel

Toll Free: 800-223-1316 or 631-567-2900 Fax: 631-567-3057

Email: sales@screwsupply.com Web: www.screwsupply.com

1712 Church Street, Holbrook, NY 11741



Toll Free: 1-800-223-1316 or 631-567-2900 Fax: 631-567-3057

1712 Church Street, Holbrook, NY 11741

Email: sales@screwsupply.com Web: www.screwsupply.com